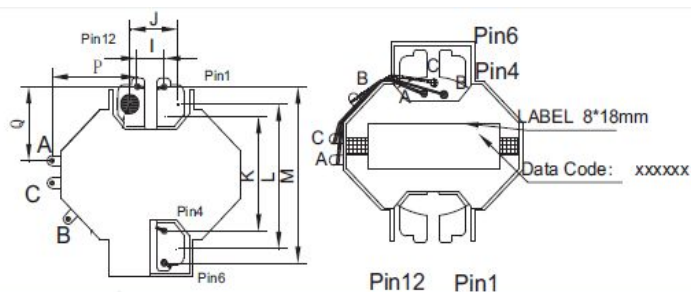
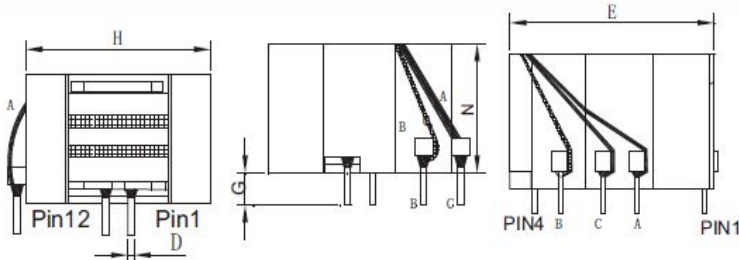


CUSTOMER TERMINAL	ROHS	Lead(Pb)-free
	YES	YES

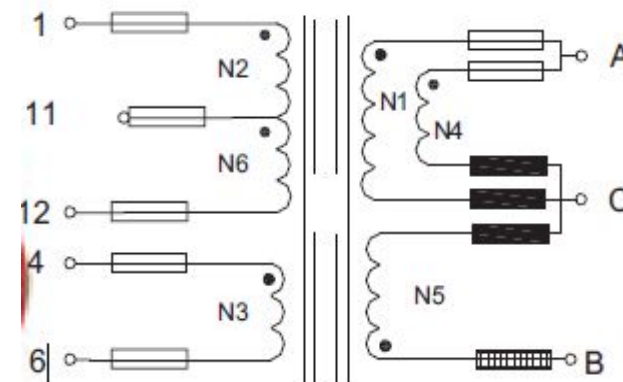
1. Mechanical Dimensions



H	29.0	MAX
E	26.0	MAX
N	20.0	MAX
G	3.5	±0.5
I	3.6	±0.3
J	7.2	±0.3
K	14.4	±0.4
L	18.0	±0.4
M	21.6	±0.4
P	12.6	±0.4
Q	7.9	±0.3
D	0.6	±0.1



2. Schematic Diagram



3. Material List

Core:FW44 RM8

Bobbin:FWB0804(6+6PIN)

Wire:2UEW TIW

Copper foil: 0.025t*5.0/6.0mm

Operating Temperature: -30 to115 °C

4. Electrical Specification

Inductance : $L(1-12):430\mu H \pm 5\%$ 100KHZ , 1.0V

Leakage inductance: 8uH MAX 70KHZ , 1.0V

DCR : $(12-1)=0.55\Omega$ MAX

Hi-Pot:P-S: AC 60Hz 4000V 1mA 3S

S-CORE:AC 60Hz 4000V 1mA 3S

REV.	DATE	<p>Convention Placement</p>	DRW.		Drawing Title:	Part No:
0	00/00		CHK.			
ROHS			www.ferriwo.com	APP.		Customer P/N